

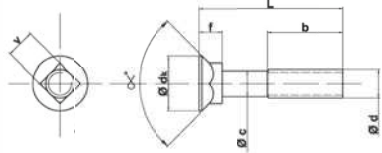


**TORNILLO DIN 608/934 - BOULON DIN 608/934 - BOLT DIN 608/934**

6.8 BICROMATADO - 6.8 BICHROMATÉ - 6.8 YELLOW ZINC

TORNILLO AVELLANADO CUELLO CUADRADO TÊTE FRAISÉE COLLET CARRÉ COUNTERSUNK HEAD SQUARE NECK	REF.	ØxL		€
  	TK5M10030	10 x 30	100	
	TK5M10035	10 x 35	100	
	TK5M10040	10 x 40	100	
	TK5M10045	10 x 45	100	
	TK5M10050	10 x 50	100	
	TK5M10060	10 x 60	100	
	TK5M11040	11 x 40	50	
	TK5M11045	11 x 45	50	
	TK5M11050	11 x 50	50	
	TK5M11060	11 x 60	50	
	TK5M11070	11 x 70	50	
	TK5M12040	12 x 40	50	
	TK5M12045	12 x 45	50	
	TK5M12050	12 x 50	50	
	TK5M12055	12 x 55	50	
	TK5M12060	12 x 60	50	
	TK5M12065	12 x 65	50	
	TK5M12070	12 x 70	50	
	TK5M12080	12 x 80	50	
	TK5M12090	12 x 90	50	
TK5M12100	12 x 100	50		



**TORNILLO DIN 608/934 - BOULON DIN 608/934 - BOLT DIN 608/934**

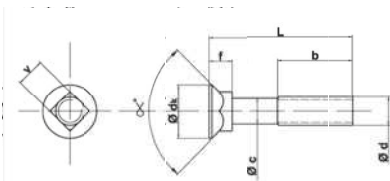
8.8 BICROMATADO - 8.8 BICHROMATÉ - 8.8 YELLOW ZINC

 TORNILLO AVELLANADO  
 CUELLO CUADRADO  
 TÊTE FRAISÉE COLLET CARRÉ  
 COUNTERSUNK HEAD SQUARE NECK

REF.

 $\varnothing \times L$ 


€



TK8M08025	8 x 25	200	
TK8M08035	8 x 35	200	
TK8M09025	9 x 25	200	
TK8M09040	9 x 40	100	
TK8M09045	9 x 45	100	
TK8M10025	10 x 25	100	
TK8M10030	10 x 30	100	
TK8M10035	10 x 35	100	
TK8M10040	10 x 40	100	
TK8M10045	10 x 45	100	
TK8M10050	10 x 50	100	
TK8M10060	10 x 60	100	
TK8M10070	10 x 70	100	
TK8M11040	11 x 40	50	
TK8M11045	11 x 45	50	
TK8M11050	11 x 50	50	
TK8M11060	11 x 60	50	
TK8M11070	11 x 70	50	
TK8M11080	11 x 80	50	
TK8M11090	11 x 90	50	
TK8M12035	12 x 35	50	
TK8M12040	12 x 40	50	
TK8M12045	12 x 45	50	
TK8M12050	12 x 50	50	
TK8M12055	12 x 55	50	
TK8M12060	12 x 60	50	
TK8M12065	12 x 65	50	
TK8M12070	12 x 70	50	
TK8M12080	12 x 80	50	
TK8M12090	12 x 90	50	
TK8M12100	12 x 100	50	
TK8M12110	12 x 110	50	
TK8M14035	14 x 35	50	
TK8M14040	14 x 40	50	
TK8M14050	14 x 50	50	

10.9 ZINCADO - ZINGUÉ - ZINC PLATED


12.9 PAVONADO - NOIRE - BLACK

**TORNILLO AVELLANADO CUELLO CUADRADO**  
**TÊTE FRAISÉE COLLET CARRÉ - COUNTERSUNK HEAD SQUARE NECK**

	REF.	ØXL		
	CALIDAD - QUALITÉ - QUALITY 10.9			
	TK1M10030	10 x 30	100	
	TK1M10035	10 x 35	100	
	TK1M12035	12 x 35	50	
	TK1M12045	12 x 45	50	
	CALIDAD - QUALITÉ - QUALITY 12.9			
	TK2M12060	12 x 60	50	
	TK2M12070	12 x 70	50	
	TK2M12080	12 x 80	50	
	TK2M12090	12 x 90	50	
	TK2M12100	12 x 100	50	
	TK2M12110	12 x 110	50	
	CALIDAD - QUALITÉ - QUALITY 10.9 PAVONADO			
	TK1M12040	12 x 40	50	
	TK1M12050	12 x 50	50	
TK1M12055	12 x 55	50		
TK1M12060	12 x 60	50		
TK1M12065	12 x 65	50		
TK1M12070	12 x 70	50		
TK1M12080	12 x 80	50		
TK1M12090	12 x 90	50		

8.8 PAVONADO - 8.8 NOIRE - 8.8 BLACK

**TORNILLO CABEZA REDONDA CUELLO CUADRADO**  
**TÊTE RONDÉ COLLET CARRÉ - ROUND HEAD SQUARE NECK**

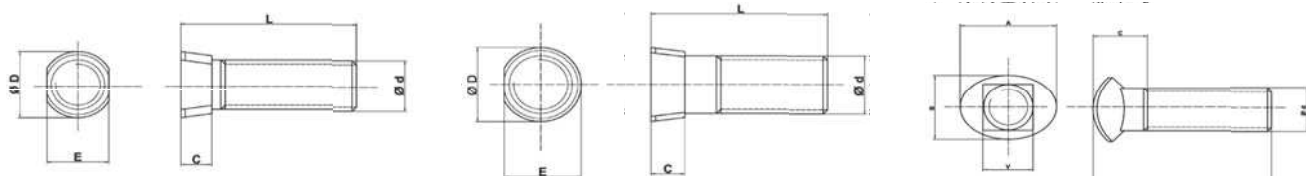
	REF:	ØXL		
	CALIDAD - QUALITÉ - QUALITY 8.8			
	TG8M16055	16 x 55	50	
	TG8M16060	16 x 60	50	
	TG8M20070	20 x 70	50	

**TORNILLO DIN 960 + TUERCA - BOULON DIN 960 + ECROUS - BOLT DIN 960 + NUT**

12.9 PAVONADO - 12.9 NOIRE - 12.9 BLACK

**TORNILLO HEXAGONAL MEDIA ROSCA PASO FINO**  
**VIS TÊTE HEXAGONALE PAS FIN PARCIELLEMENT FILETÉE**  
**HEXAGON HEAD BOLTS, METRIC FINE PITCH THREAD**

	REF:	ØXL		
	CALIDAD - QUALITÉ - QUALITY 12.9			
	TA2165045	16-1,5 x 45	50	
	TA2165050	16-1,5 x 50	50	
	TA2165055	16-1,5 x 55	50	
	TA2165060	16-1,5 x 60	50	
	TA2165070	16-1,5 x 70	50	
	U9851E165	U-985 16-1,5	100	
	U69271E16	U-6927 16-1,5	100	
	U9341E160	U-934 16-1,5	100	



<b>TORNILLO CÓNICO - BOULON CONIQUE - CONICAL BOLTS</b>				
12.9 PAVONADO + TUERCA - 12.9 NOIRE + ECROUS - 12.9 BLACK + NUT				
<b>TORNILLO CÓNICO 2 CORTES TÊTE CONIQUE DEUX REINURES DE CLAVETTE CONICAL HEAD TWO FLATS</b>	<b>REF.</b>	<b>ØxL</b>		<b>€</b>
	TKK2M1033	10 x 33	100	
	TKK2M1233	12 x 33	50	
	TKK2M1235	12 x 35	50	
	TKK2M1236	12 x 36	50	
	TKK2M1237	12 x 37	50	
	TKK2M1242	12 x 42	50	
	TKK2M1245	12 x 45	50	
	TKK2M1250	12 x 50	50	
	TKK2M1255	12 x 55	50	
	TKK2M1257	12 x 57	50	
	TKK2M1260	12 x 60	50	
	TKK2M1265	12 x 65	50	
	TKK2M1439	14 x 39	50	
TKK2M1042	10x42 VOGEL	100		
<b>TORNILLO CÓNICO 1 CORTE TÊTE CONIQUE REINURE CLAVETTE CONICAL HEAD ONE FLAT</b>	<b>REF.</b>	<b>ØxL</b>		<b>€</b>
	TK12M1433	14 x33	50	
	TK12M1435	14 x 35	50	
	TK12M1437	14 x 37	50	
	TK12M1440	14 x 40	50	
	TK12M1442	14 x 42	50	
	TK12M1450	14 x 50	50	
	TK12M1465	14 x 65	50	
<b>TORNILLO DANÉS - BOULON DANOIS - DANISH BOLT</b>				
8.8 CINCADO + TUERCA - 8.8 ZINGUÉ + ECROUS - 8.8 ZINC PLATED + NUT				
<b>TORNILLO CABEZA OVALADA BOMBEADA TÊTE CONIQUE COLLET CARRÉ CONICAL HEAD SQUARE NECK</b>	<b>REF.</b>	<b>ØxL</b>		<b>€</b>
	TK8010036	10 x 36	100	
	TK8010040	10 x 40	100	
	TK8010045	10 x 45	100	
	TK8012048	12 x 48	50	
	TK8012055	12 x 55	50	
	TK8012075	12 x 75	50	
TK8012085	12 x 85	50		